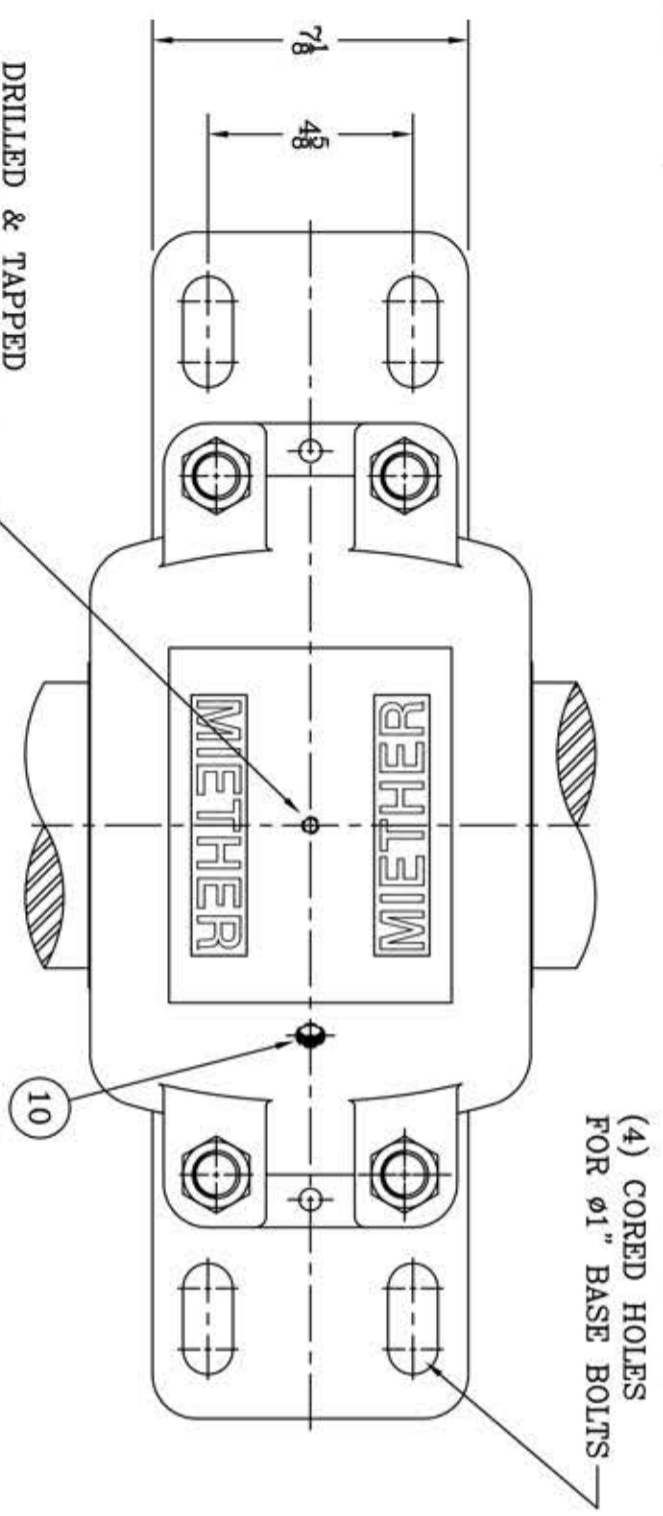


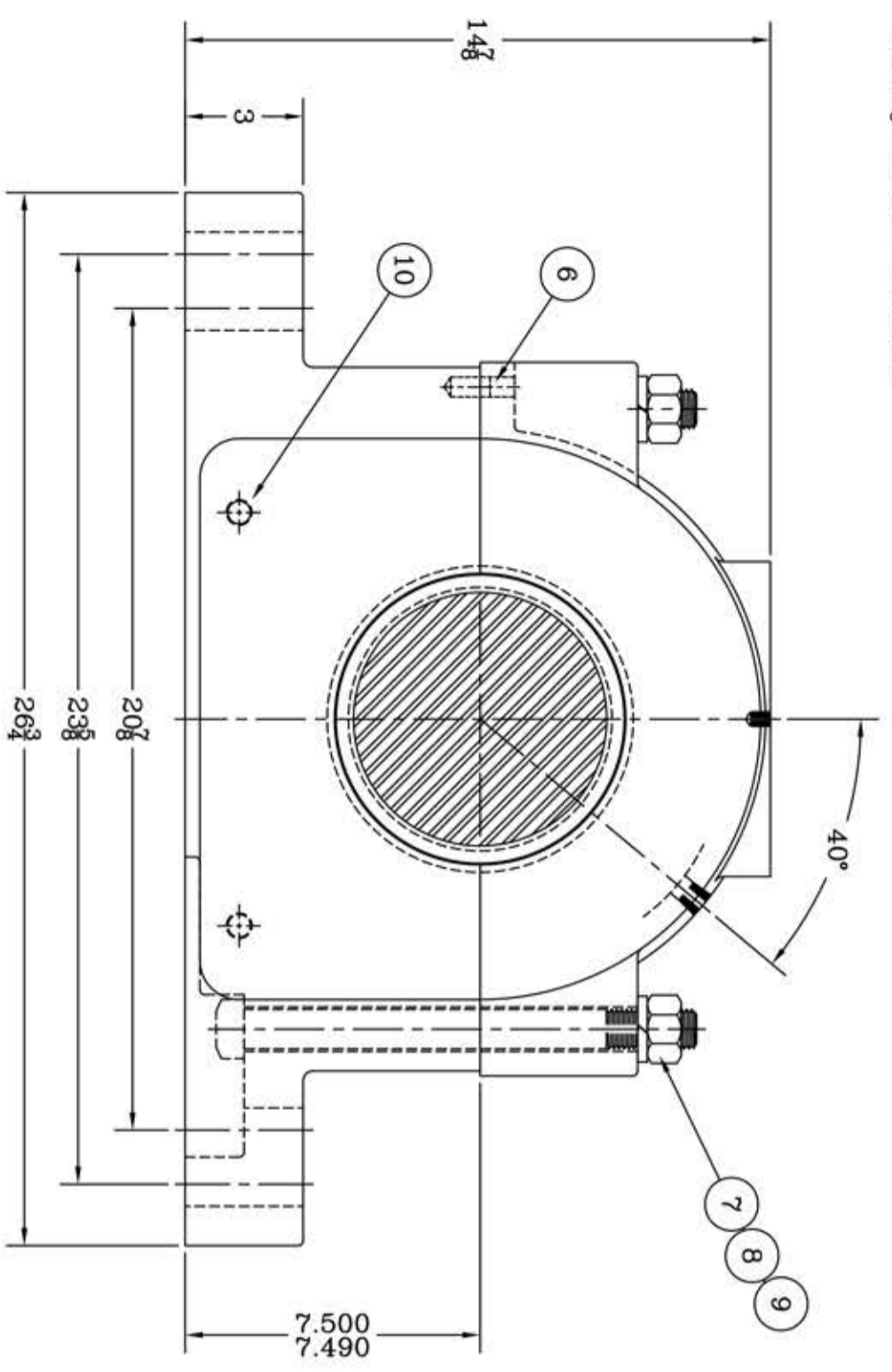
This drawing is the sole property of Miether Bearing Products and contains confidential and proprietary information. It is being provided to you for your use and may not be disclosed to any third party or used for any other purpose without Miether's prior written consent. The [materials] must be returned to the Company upon its demand. Your acceptance of these materials constitutes your acceptance of the foregoing terms.

C-35197

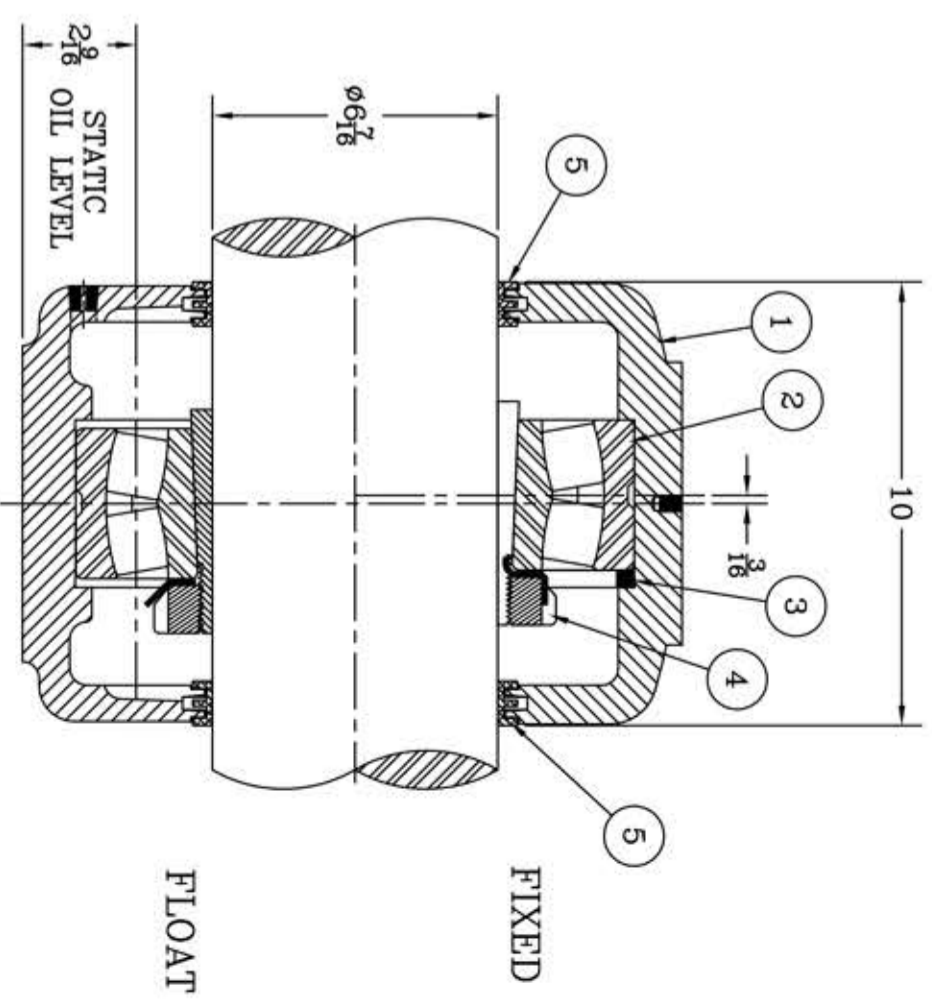


(4) CORED HOLES FOR $\phi 1$ " BASE BOLTS

DRILLED & TAPPED FOR $\frac{3}{16}$ N.C. EYEBOLT



ITEM	DESCRIPTION	DETAIL	REQUIRED P.D.	REQUIRED P.L.T.
1	HOUSING SAFD 536	C-	1	1
2	SPHERICAL ROLLER BEARING	22236K/W-33	1	1
3	STABILIZING RING SR-36-30	A-10610	1	0
4	ADAPTER SNW-36 06-07	24452	1	1
5	TRIPLE SEAL RING LER 148	A-10586	2	2
6	DOWEL	$\phi \frac{1}{2}$ x 1" LONG	2	2
7	CAP BOLT SQUARE HEAD GR. 5	1-8 NC x $1\frac{1}{2}$ LONG	4	4
8	CAP BOLT HEX. NUT	1-8 NC	4	4
9	LOCKWASHER	1" SPLIT MED.	4	4
10	PIPE PLUG	$\frac{3}{8}$ -18 NPT	3	3



REVISIONS	
SYMBOL	DESCRIPTION
16	32
63	125
250	500
1000	

AN ALCO INDUSTRIES COMPANY
 BEARING PRODUCTS
 ODESSA, TX. USA

SAFD 22536 06-07
 ASSEMBLY DRAWING

SCALE 1 = 3
 DRAWN PCF
 DATE 12/31/12
 CHECK:

ASSEMBLY NO.
 DRAWING NO.
 C-35197

TOLERANCE: UNLESS OTHERWISE SPECIFIED
 FRACTIONS $\pm 1/32$ " ANGLES $\pm 0^\circ 30'$
 DECIMALS $\pm .005$ WELD $\pm 1/16$ "
 CASTING $\pm 1/16$ "

A.I.S.I. STANDARD FINISHES